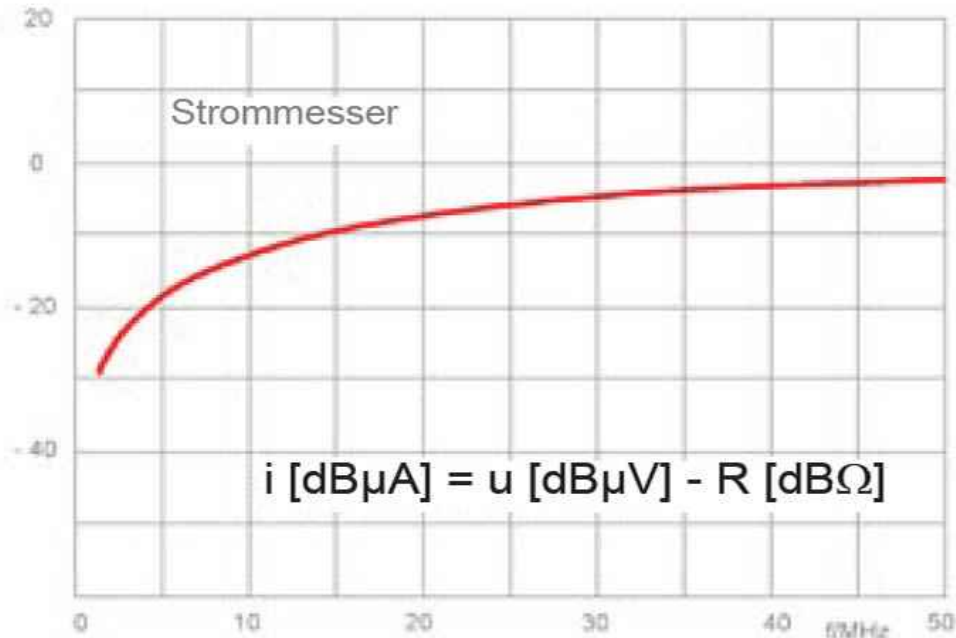


P501

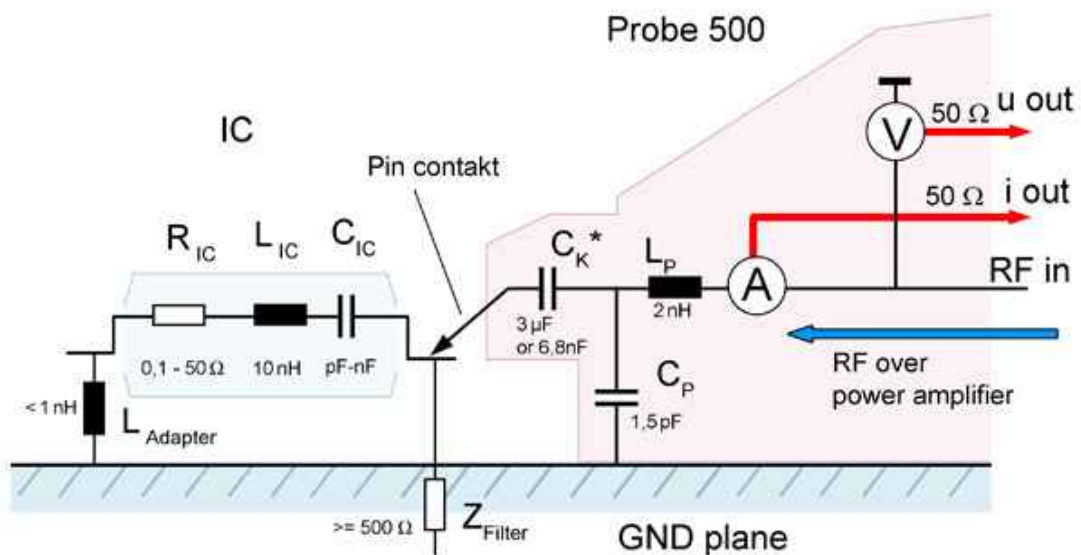
DPI Coupling Network up to 3 GHz, 50 V

Frequency response (detail)

Stromkorrekturfaktor R [dBΩ]



Equivalent circuit



P501

DPI Coupling Network up to 3 GHz, 50 V

Design, view 1

