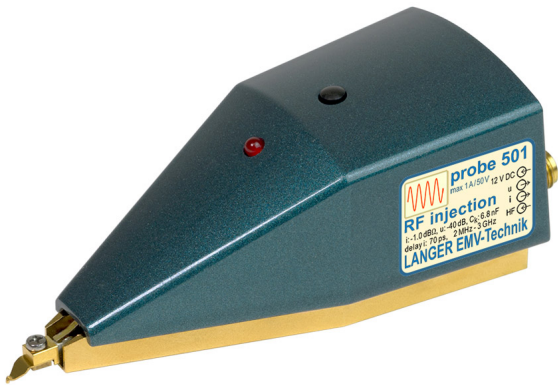


P501

DPI Coupling Network up to 3 GHz, 50 V



Short description

The P501 DPI coupling network is designed for RF direct power injection (DPI) in IC pins according to IEC 62132-4. Current and voltage can be measured separately during the power injection via integrated measuring outputs. The P501 coupling network is connected to a power amplifier.

Technical parameters

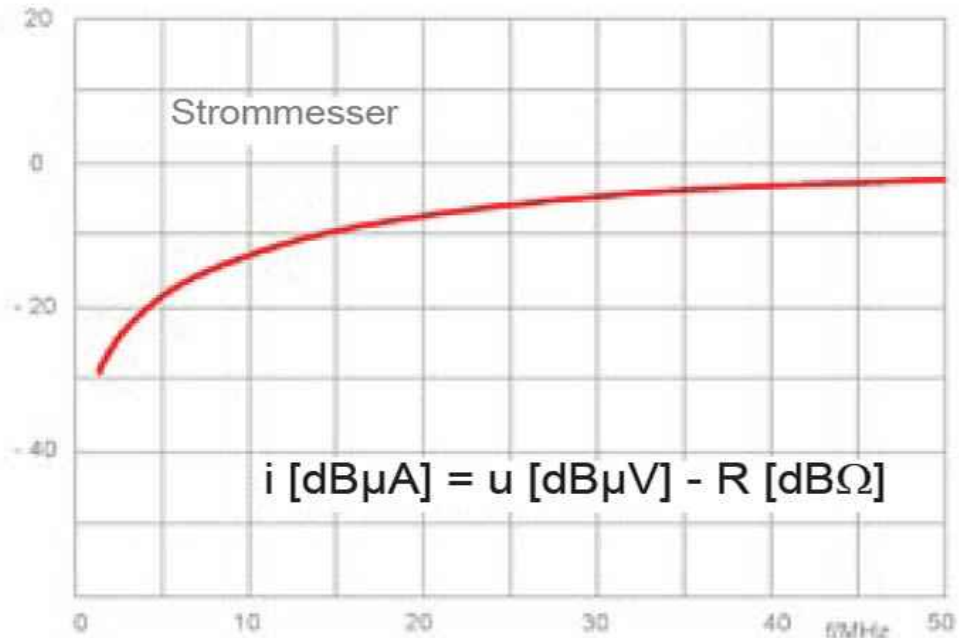
Coupling capacity	3 μ F
Voltage probe	without preamplifier
Frequency range	16 kHz ... 3 GHz
Measurement output	50 Ω , SMB
Transfer factor	-40 dB
Ammeter /current probe	with preamplifier
-1 dB compression point (output)	120 dB μ V
Frequency range	2 MHz ... 3 GHz
IP3	134 dB μ V
Correction curve R (2 MHz - 40 MHz) [dB Ω]	characteristic curve
Correction curve R (40 MHz - 3 GHz) dB Ω , typical	0 dB Ω (= 1 V/A)
Measurement output	50 Ω , SMB
Noise figure	4.5 dB
Delay from current to voltage, typical	135 ps
Supply voltage	12 V / DC
Max. forward power	30 W
Max. input voltage RF	50 V _{eff}
Max. input current RF	1 A
Connector - input	50 Ω , SMA

P501

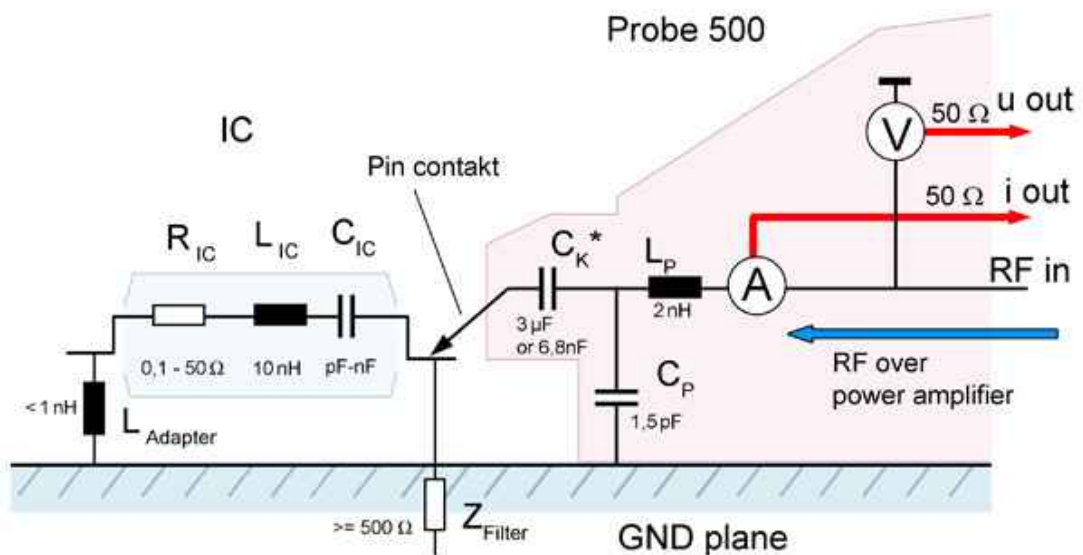
DPI Coupling Network up to 3 GHz, 50 V

Frequency response (detail)

Stromkorrekurfaktor R [dBΩ]



Equivalent circuit



P501

DPI Coupling Network up to 3 GHz, 50 V

Design, view 1

