

P331 L-ESD set

Langer ESD Pulse 0.2/5 Injection



Short description

The P331 L-ESD probe set is used for conducted coupling of Langer ESD pulses (200 ps rise time) into ICs. The P331 L-ESD probe sizing orientates itself by mechanisms of the ESD coupling into electronic assemblies. BPS 203 powers and controls the probe.

Scope of delivery

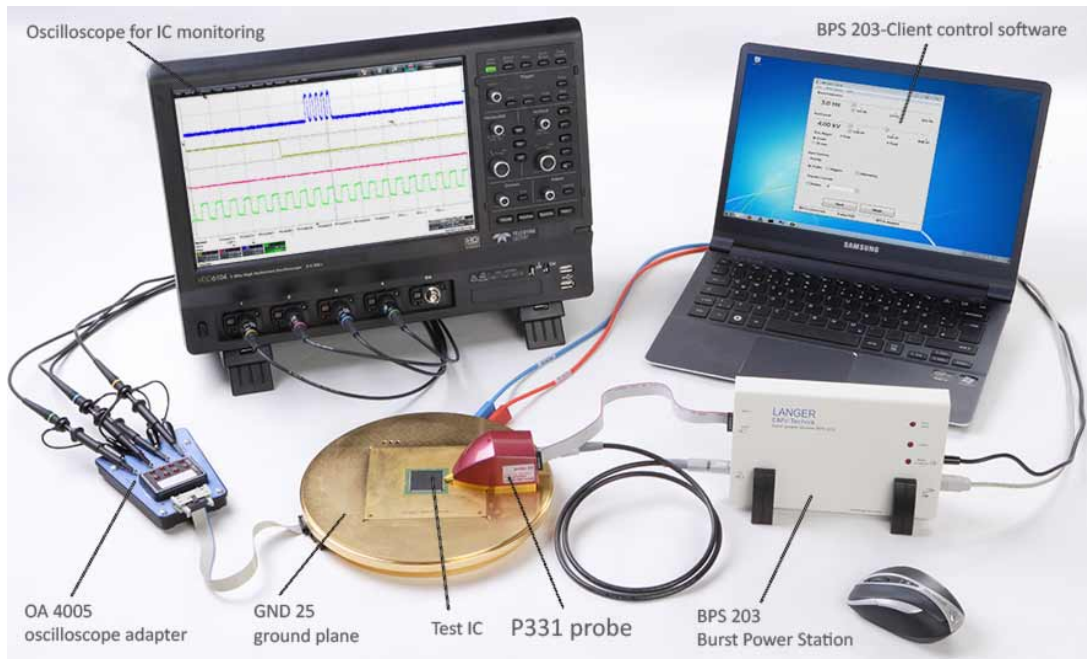
- | | |
|--|---|
| 1x P331 L-ESD, ESD Generator Langer Pulse 0.2/5 ns | 1x BPS 203, Burst Power Station |
| 1x BPS 203-Client, Control Software | 1x SMA-SMB 1 m, SMA-SMB Measuring Cable |
| 1x HV FI-FI 1 m, High-Voltage Cable, Fischer-Fischer | 1x FBK 12P 1m, Control Cable |
| 1x USB-AB, USB Cable Type A-B | 1x NT Ex EU, Power Supply Unit |
| 1x P331 case, System Case | 1x P331 m, P331 Set User manual |
| 1x P331 acc, Accessories | |

P331 L-ESD set

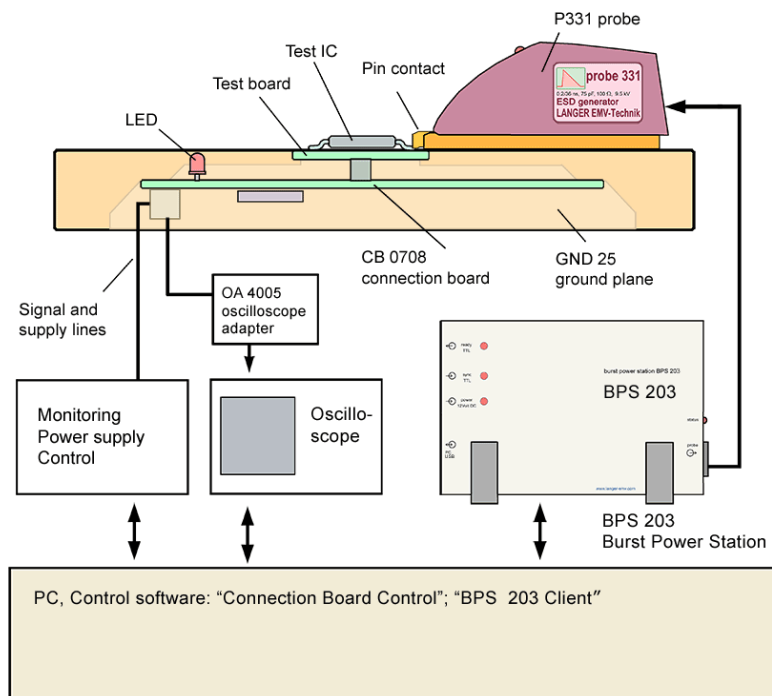
Langer ESD Pulse 0.2/5 Injection



Measurement set-up with P311



Scheme measuring set-up with P331



P331 L-ESD set

Langer ESD Pulse 0.2/5 Injection



Scope of delivery Set 331

