

P603

RF Current Probe 1 Ohm



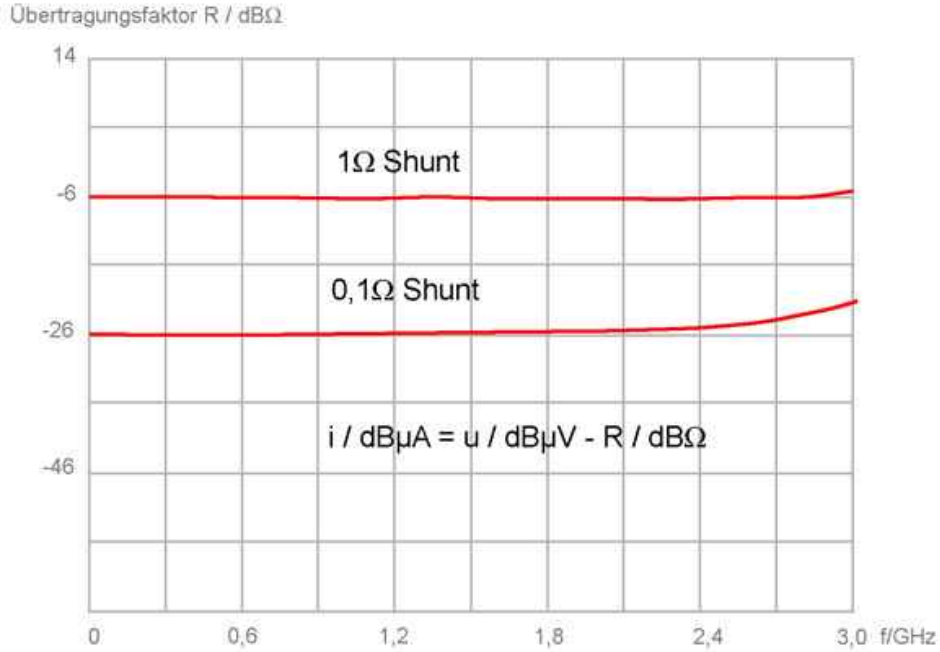
Short description

The P603 is a 1 ohm probe for direct measurement of high frequency (RF) current at IC pins. It is used to measure at supply pins (Vdd / Vss) and signal pins. The 1 ohm RF current probe has a pin contact with which IC pins can be separately contacted and measured.

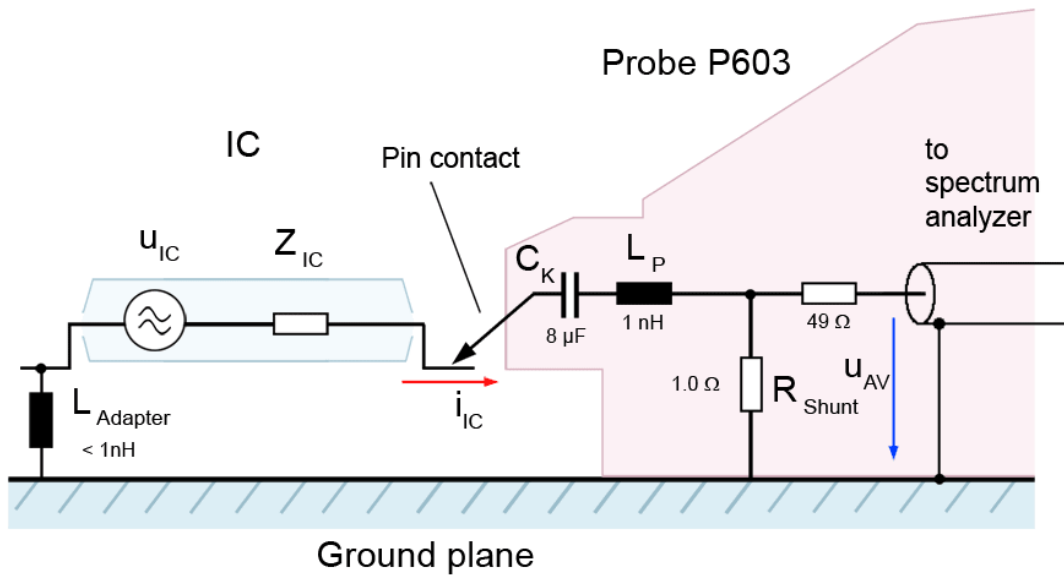
Technical parameters

Frequency range	9 kHz ... 3 GHz
Coupling capacity	8 μ F
Measuring output	50 Ω , SMB
Transfer factor voltage	-6 dB
Ammeter /current probe	
Shunt	1 Ω
Current correction factor R	-6 dB Ω
Inductance	1 nH
Max. power dissipation	2.5 W

Frequency response



Equivalent circuit

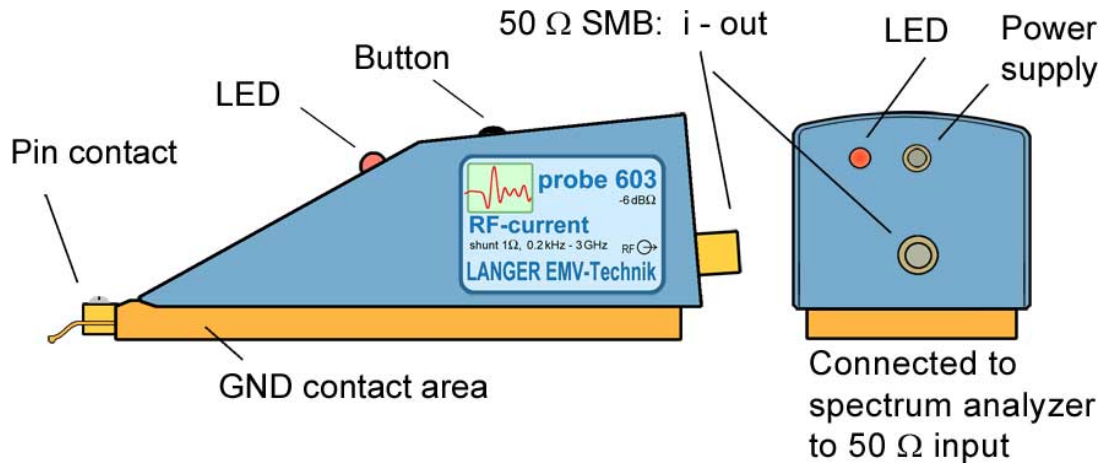


P603

RF Current Probe 1 Ohm



Design, view 1



Application with P603

