

# P603-1

RF Current Probe 1 Ohm



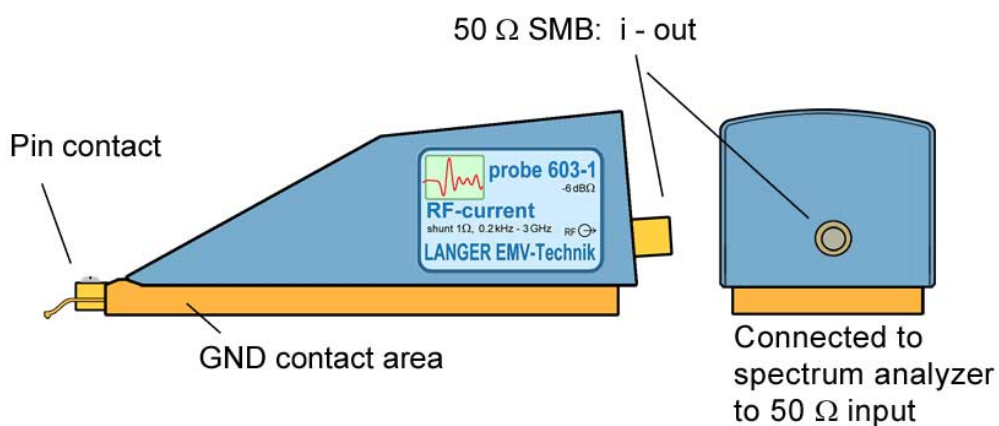
## Short description

The P603-1 probe is a 1-Ω-probe for direct measurement of high frequency (RF) current at IC pins. It is used to measure at ground pins (Vss) and signal pins. The RF current probe 1 Ohm has a pin contact with which every IC pin can be separately contacted and measured.

## Technical parameters

|                             |              |
|-----------------------------|--------------|
| Frequency range             | DC ... 3 GHz |
| Measuring output            | 50 Ω, SMB    |
| Transfer factor voltage     | -6 dB        |
| Ammeter /current probe      |              |
| Shunt                       | 1 Ω          |
| Current correction factor R | -6 dBΩ       |
| Inductance                  | 1 nH         |
| Max. power dissipation      | 2.5 W        |

## Design, view 1



# P603-1

RF Current Probe 1 Ohm

## Application

