

## P331 L-ESD set

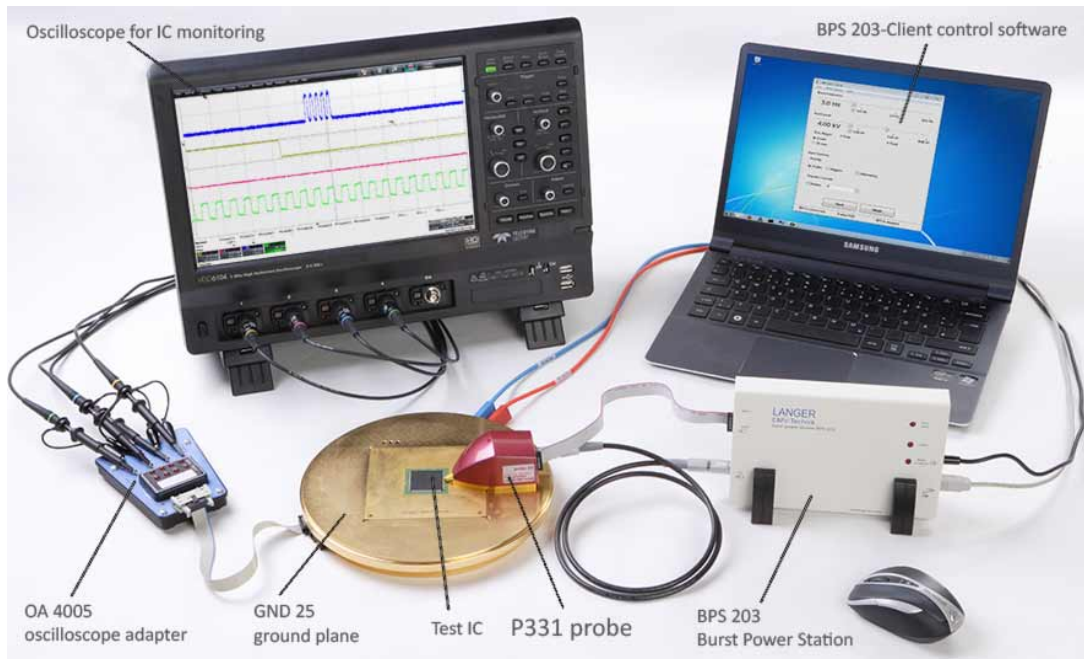


### Delivery content

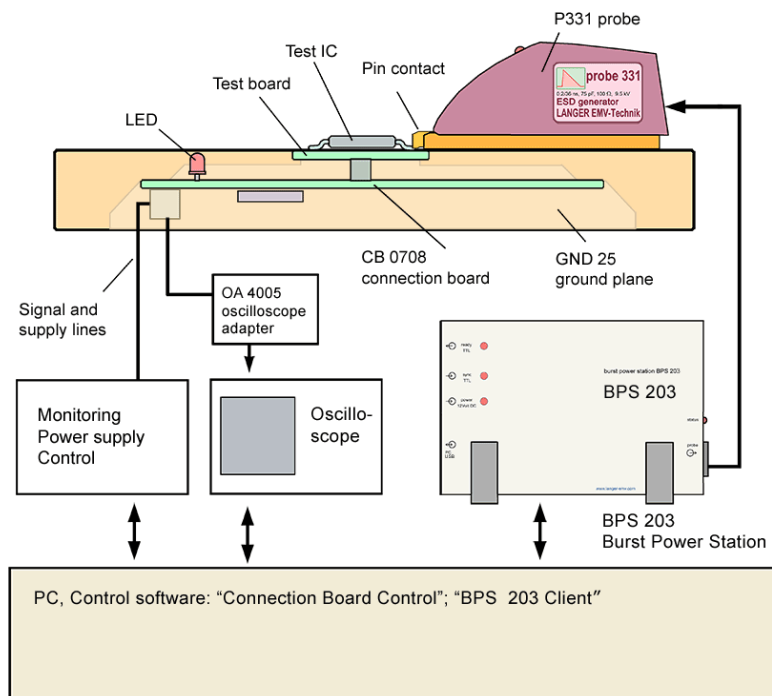
- |                               |                              |
|-------------------------------|------------------------------|
| 1x P331 L-ESD, Langer ESD 发生器 | 1x BPS 203, 猝发电站             |
| 1x BPS 203-Client, 控制软件       | 1x SMA-SMB 1 m, SMA-SMB 测量电缆 |
| 1x HV FI-FI 1 m, 高压电缆         | 1x FBK 12P 1m                |
| 1x USB-AB                     | 1x NT Ex EU                  |
| 1x P331 case, System case     | 1x P331 m                    |
| 1x P331 acc                   |                              |

# P331 L-ESD set

## Measurement set-up with P311



## Scheme measuring set-up with P331



## P331 L-ESD set

Scope of delivery Set 331

